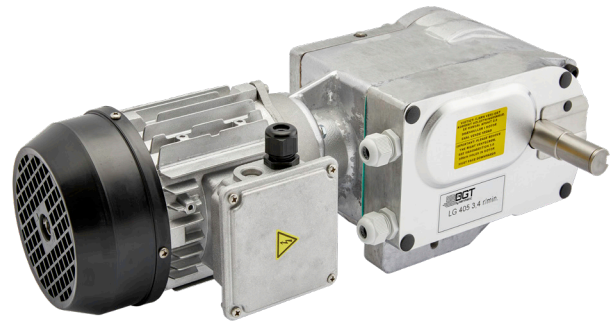




LG405 GEAR MOTOR

- ✓ Can pull up to approx. 120 m window opening
- ✓ The gear is equipped with a double limit switch
- ✓ Reliable with long lifespan
- ✓ The gear unit is maintenance-free



The powerful solution for ventilation and screen systems

The gear motor is developed specially for automatic opening of top and side windows and screen systems in greenhouses. The construction of the gear motor makes it suitable for operation with the various existing rack-and-pinion systems.

Double limit switch

- The LG405 is equipped with a double limit switch. This provides extra safety against breakdown in cases of faulty connection or by fault in the associated motor relay.
- Interchange of the phases during the installation may damage one of the limit switches, but due to the double limit switch, switch number two ensures a correct stop of the motor.

Maximum protection

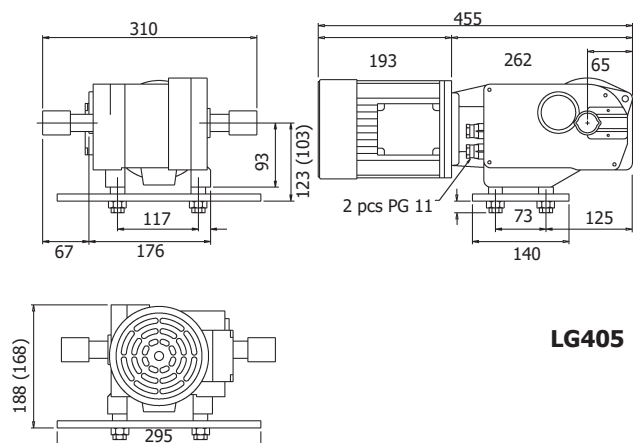
- Full utilization of the double limit switch is only achieved when the gear motor is connected to motor relay R0901/902.

Technically sophisticated

- LG405 is a lightweight gear weighing just 19 kg.
- The gear has a performance of up to 400 Nm.
- A standard flange motor is mounted on the gearbox making it easy to disassemble without opening the gearbox.
- Potentiometers for position feedback can be built-in.

Long lifespan

- The selected materials and ball bearings give the gear a lifespan, which in many cases is as long as that of the greenhouse.
- The completely closed construction makes the gear maintenance-free.



LG405



SPECIFICATIONS / LG405 GEAR MOTOR

Tekniske spesifikationer

Item no.:	Torque output Nm:	Output RPM	Max. no. of rotations between limit switches	Supply voltage/V:	Frequency/ Hz:	Current/A:	Power/kW:	COS<p:	CSA
124570	200	1,2	19	1 x 208-230	50	3.0-3.25	0.37	0.94-0.86	
124571	200	1,2	40	1 x 208-230	50	3.0-3.25	0.37	0.94-0.86	
124550	200	3,2	19	1 x 208-230	50	3.0-3.25	0.37	0.94-0.86	
124520	400	1,3	19	3 X 200-230 / 346-400	50	2.3-2.0 / 1.3-1.2	0.37	0.75-0.72	
125000*	200	3,0	19	3 X 200-230 / 346-400	50	2.3-2.0 / 1.3-1.2		0.75-0.72	
124500	400	3,4	19	3 X 200-230 / 346-400	50	2.3-2.0 / 1.3-1.2	0.37	0.75-0.72	
124505	400	3,4	19	3 X 200-230 / 346-400	50	2.3-2.0 / 1.3-1.2	0.37	0.75-0.72	
124541	400	3,4	40	3 X 200-230 / 346-400	50	2.3-2.0 / 1.3-1.2	0.37	0.75-0.72	
124510	400	6,8	19	3 X 200-230 / 346-400	50	2.3-2.0 / 1.3-1.2	0.37	0.75-0.72	
124511	400	6,8	40	3 X 200-230 / 346-400	50	2.3-2.0 / 1.3-1.2	0.37	0.75-0.72	
124840	200	1,5	19	1 x 208-230	60	3.5-3.4	0.37	0.99-0.98	X
124880	200	1,5	19	1 x 115-125	60	3.5-3.4	0.37	0.99-0.98	X
124850	200	3,8	19	1 x 208-230	60	3.5-3.4	0.37	0.99-0.98	X
124870	200	3,8	19	1 x 115-125	60	3.5-3.4	0.37	0.99-0.98	X
124820	400	1,6	19	3 X 200-230 / 346-400	60	2.1-1.8 / 1.2-1.0	0.37	0.77-0.74	X
124900	400	3,4	19	3 X 200-230 / 346-400	60	2.1-1.8 / 1.2-1.0	0.37	0.77-0.74	
124800	400	4,1	19	3 X 200-230 / 346-400	60	2.1-1.8 / 1.2-1.0	0.37	0.77-0.74	X
124890	400	1,6	19	3 x 330-575	60	1.7-1.0	0.37	0,6	X
124860	400	4,1	19	3 x 330-575	60	1.7-1.0	0.37	0,6	X
124960**		1,3	19						
124961**		3,4	19						

* For Venlo Block **Without motor



SPECIFICATIONS / LG405 GEAR MOTOR

Physical specifications

Environment temperature:	Max. operating temperature:	IP rating:	Emission:	Immunity:	Dimensions L x W x H:	Weight:
0 - 70° C (32 - 158° F)	100° C (212° F)	IP55/F	EN50081-1	EN50082-1	455 x 183 x 220 mm (18 x 7 x 9")	19 kg (42 lb)

Specification of output RPM




Output RPM:	1.3	3.4	6.8
For what purpose are the different outputs recommended:	For racks of max. length 75 cm	For racks longer than 75 cm	For screens and window opening systems in Venlo Blocks

Accessories

	Item no.	Description	Order quantity per gear
	90140100	Console complete*	1
	140420	Profile coupling pieces	2
	140425	Profile coupling pieces with grooved pin	2
	140430	Chain coupling pieces	2
	140435	Chain coupling pieces w. grooved pin	2
	90140600	Profile coupling 250 complete	2

* Console is only to be ordered for new gears - when replacing a gear, console can be reused

Accessories

	Item no.	Description	Order quantity per gear
	90140650	1" Chain coupling complete	2
	90140660	1 1/4" Chain coupling complete	2
	90140670	1 1/2" Chain coupling complete	2
	129520	1000 Ohm potentiometer	1
	852020	Elec. motor 1400 R 3 x 200-230 / 346-400 V	1
	852050	Elec. motor 1700 R 3 x 200-230 / 346-400 V CSA	1

Distributor:

Version: 02112023

Contact details:

DGT by Senmatic
Phone: +45 64 89 22 11
dgtsales@senmatic.com - www.senmatic.dk

Head office:

Senmatic A/S - Industrivej 8 - DK-5471 Sønderlø